

PARTS LIST

[MX-J550R]

* All printed circuit boards and its assemblies are not available as service parts.

MX-J550R(SP-MXJ550)

Area suffix

EE ----- Russian Federation

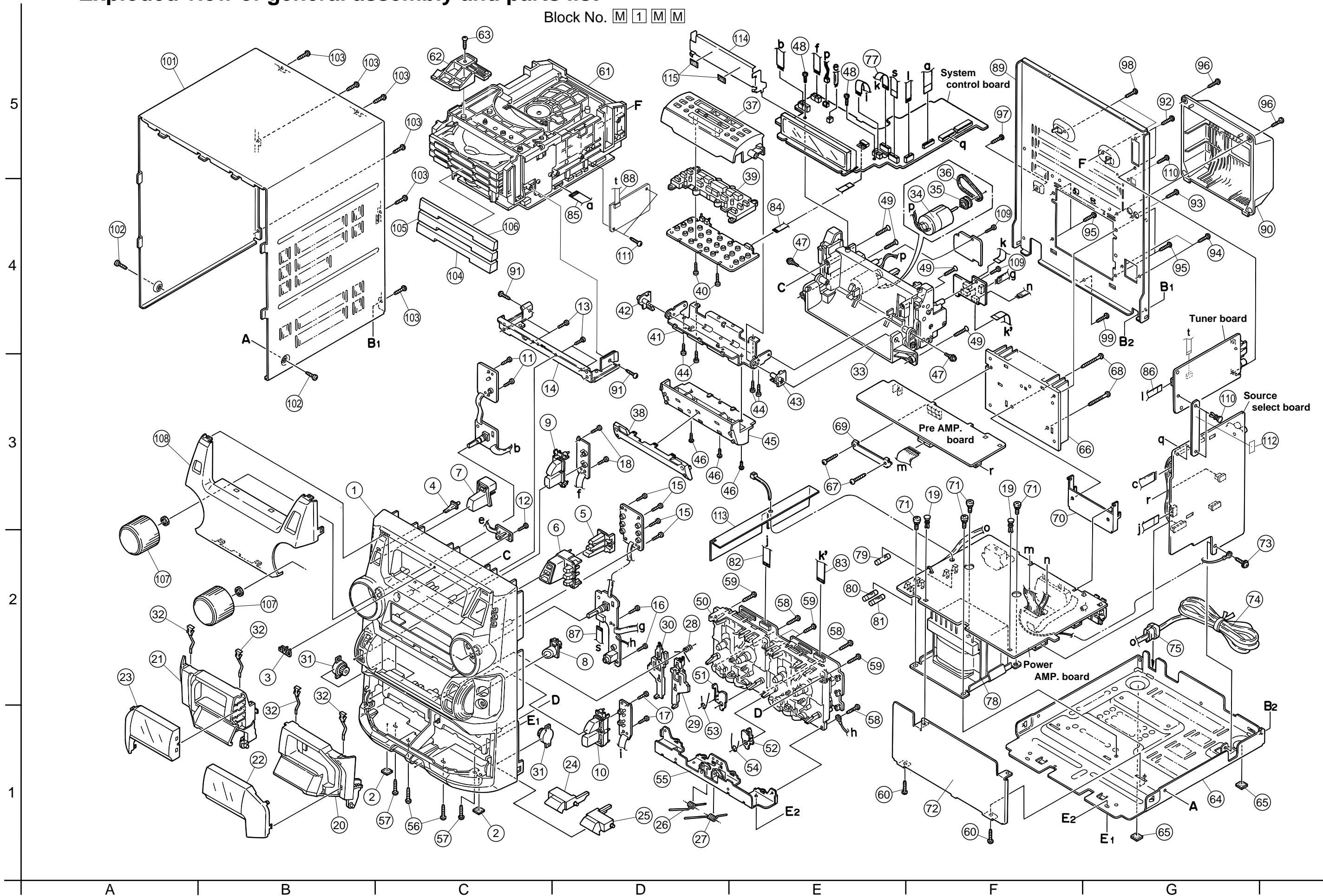
- Contents -

Exploded view of general assembly and parts list	3-3
Electrical parts list	3-6
Packing materials and accessories parts list	3-15

-MEMO-

Exploded view of general assembly and parts list

Block No. M 1 M M



■ Parts list (General assembly)

Block No. M1MM

△	Item	Parts number	Parts name	Q'ty	Description	Area
	1	GV10027-003A	FRONT PANEL	1		
	2	E75896-001	FELT SPACER	2		
	3	GV40077-001A	JVC BADGE	1		
	4	GV40080-001A	STANDBY INDICATOR	1		
	5	GV20056-001A	CD EJECT BUTTON	1		
	6	GV20057-002A	CD BUTTON	1		
	7	GV30087-001A	POWER BUTTON	1		
	8	GV30088-001A	PUSH BUTTON	1		
	9	GV20049-003A	SOURCE BUTTON(A)	1	CD/TAPE MARK	
	10	GV20050-002A	SOURCE BUTTON(B)	1	TUNER/AUX MARK	
	11	QYSDSF2608Z	SCREW	2	POWER BOARD	
	12	QYSDSF2608Z	SCREW	1	REMOTE SENSOR	
	13	QYSDSF2608Z	SCREW	4	STY.BKT+F.PANEL	
	14	GV30082-001A	STAY BRACKET	1		
	15	QYSDSF2608Z	SCREW	4	CD SWITCH BOARD	
	16	QYSDSF2608Z	SCREW	2	VOLUME BOARD	
	17	QYSDSF2608Z	SCREW	2	CD/TAPE S.BOARD	
	18	QYSDSF2608Z	SCREW	2	TUNER/AUX S.BOARD	
	19	FMYH4004-001	PLASTIC RIVET	2	TRANS SHD/P.BOARD	
	20	GV10029-001A	CASS HOLDER(L)	1		
	21	GV10030-001A	CASS HOLDER(R)	1		
	22	GV20053-001A	CASS LENS (L)	1		
	23	GV20054-001A	CASS LENS (R)	1		
	24	GV30077-001A	EJECT BUTTON(A)	1		
	25	GV30078-001A	EJECT BUTTON(B)	1		
	26	FMKW4009-002	HOLDER SPRING(A)	1		
	27	FMKW4010-002	HOLDER SPRING(B)	1		
	28	FMKW4011-001	SPRING	1	FOR EJECT LEVER	
	29	FMKS3002-003	EJECT LEVER(A)	1		
	30	FMKS3003-003	EJECT BUTTON(B)	1		
	31	GV40034-001A	DAMPER ASSY	2		
	32	VKY4180-401	CASSETTE SPRING	4		
	33	GV10014-005A	CASE ASSY	1		
	34	MXN-13FB12F	DC MOTOR	1		
	35	GV40022-001A	MOTOR PULLEY	1		
	36	GV30038-001A	CAPSTAN BELT	1		
	37	GV30086-004A	MOVING PANEL(A)	1		
	38	GV30089-001A	PANEL PLATE	1		
	39	GV20058-002A	CONTROL BUTTON	1		
	40	QYSDSF2608Z	SCREW	2	S.BRD./M.PNL ASS'Y	
	41	GV30042-002A	PANEL BRACKET	1		
	42	GV40028-001A	PANEL HOLDER(L)	1		
	43	GV40028-002A	PANEL HOLDER(R)	1		
	44	QYSDSF2608Z	SCREW	4	PNL BKT/M.PNL ASS'Y	
	45	GV20059-001A	MOVING PANEL(B)	1		
	46	QYSBST2606Z	T.SCREW	3	M.PNL B/PNL BKT	
	47	VKZ4341-204	SPECIAL SCREW	2	ARM CASE/PNL BKT	
	48	QYSDSF2608Z	SCREW	2	FL BRD./CASE ASS'Y	

■ Parts list (General assembly)

Block No. M1MM

△	Item	Parts number	Parts name	Q'ty	Description	Area
	49	QYSSSF3012Z	TAP SCREW	4	MOVING PNL./F.P	
	50	-----	CASSETTE MECHA	1		
	51	FMKL4012-004	EJECT SAFETY(A)	1		
	52	FMKL4013-001	EJECT SAFETY(B)	1		
	53	FMKW4007-001	SPRING (A)	1	EJECT SAFETY(A)	
	54	FMKW4008-001	SPRING (B)	1	EJECT SAFETY(B)	
	55	GV20055-001A	HOLDER BRACKET	1		
	56	QYSBSG3010Z	T.SCREW	2	F.P.TO H.BRACKET	
	57	QYSBSG3010Z	T.SCREW	2	F.P.TO CHS.BASE	
	58	QYSBSG3010Z	T.SCREW	3	MECHA & H.BRACKET	
	59	QYSBSF3012Z	SCREW	4	MECHA & F.PANEL	
	60	QYSBSG3010Z	T.SCREW	2	TRANS SHD/C.BASE	
	61	-----	CD CHANGER MECHA	1		
	62	E309662-001SM	DISC STOPPER	1		
	63	QYSBSF3008Z	SCREW	1	FOR DISC STOPPER	
	64	GV10025-001A	CHASSIS BASE	1		
	65	E75896-006	FELT SPACER	2	CHAS.BASE FOOT	
	66	GV30083-001A	HEAT SINK	1		
	67	QYSBSG3014Z	T.SCREW	2	FOR LEAF SPRING	
	68	QYSBSG3020E	TAP SCREW	2	FOR IC BRACKET	
	69	GV40029-001A	LEAF SPRING	1		
	70	GV30080-001A	IC BRACKET	1		
	71	QYSDSTL4008Z	SPECIAL SCREW	4		
	72	GV30079-001A	TRANS.SHIELD	1		
	73	QYSBSGG3008E	T.SCREW	1	MAIN BRD/C.BASE	
△	74	QMPK090-205-JN	POWER CORD	1		
	75	QZW0033-001	STRAIN RELIEF	1		
	77	QUQ412-1112DJ	FFC WIRE	1	FC906	
△	78	QQT0276-002	POWER TRANSF	1	T001	
△	79	QMF51E2-1R6-J1	FUSE	1	F001	
△	80	QMF51E2-3R15-J1	FUSE	1	F101	
△	81	QMF51E2-3R15-J1	FUSE	1	F102	
	82	QUQ412-1028CJ	FFC WIRE	1	FC315	
	83	QUQ412-1112DJ	FFC WIRE	1	FC869	
	84	QUQ610-0915BJ	FFC WIRE	1	FC879	
	85	QUQ110-1908BJ	FFC WIRE	1	FC868	
	86	QUQ412-1317CJ	FFC WIRE	1	FC865	
	87	QUQ412-1112DJ	FFC WIRE	1	FC880	
	88	QUQ412-1109CJ	FFC WIRE	1	FC3	
	89	GV10026-009A	REAR PANEL	1		
	90	E207356-002SM	REAR COVER	1		
	91	QYSBSF3010Z	SCREW	2	C3 / STAY BRACKET	
	92	QYSBSGY3008M	SPECIAL SCREW	2	ANTENA/R.PANEL	
	93	QYSBSGY3008M	SPECIAL SCREW	1	AUX TEM/R.PANEL	
	94	QYSBSGY3008M	SPECIAL SCREW	2	SPK TEM./R.PANEL	
	95	QYSBSGY3008M	SPECIAL SCREW	4	H.SINK/ R.PANEL	
	96	QYSBSGY3008M	SPECIAL SCREW	2	R.COVER/R.PANEL	
	97	QYSBSGY3008M	SPECIAL SCREW	1	GROUND /R.PANEL	

Parts list (General assembly)
Block No. M1MM

△	Item	Parts number	Parts name	Q'ty	Description	Area
	98	QYSBSGY3008M	SPECIAL SCREW	2	C3 / REAR PANEL	
	99	QYSBSGY3008M	SPECIAL SCREW	1	R.PANEL/C.BASE	
	100	QYSBSGY3008M	SPECIAL SCREW	1	OPTICAL OUT/R.P	
	101	GV10024-001A/S/	METAL COVER	1		
	102	QYSDSG3006M	T.SCREW	2	M.COVER+C.BASE	
	103	QYSBSGY3008M	SPECIAL SCREW	6	M.COVER+R.PANEL	
	104	GV30074-001A	CD FITTING	1	DISC 1	
	105	GV30075-001A	CD FITTING	1	DISC 2	
	106	GV30076-001A	CD FITTING	1	DISC 3	
	107	GV30084-001A	KNOB	2	SA BASS & VOL.	
	108	GV10028-003A	WINDOW SCREEN	1		
	109	QYSDSF2608Z	SCREW	2	WIRE & MOTOR STOPPER	
	110	FMYH4004-001	PLASTIC RIVET	2	TUNER BRD.HOLDER	
	111	QYSBSF3006Z	SCREW	2	POLAR BRD./VC3	
	112	GV40123-001A	SPACER	1		
	113	GV30104-001A	PROTECT SHHET	1		
	114	GV30032-001A	FL HOLDER	1		
	115	E3400-439	FELT SPACER	2		

Electrical parts list

■ Electrical parts list (Power AMP.&Source select board) Block No. 01

△	Item	Parts number	Parts name	Remarks	Area	△	Item	Parts number	Parts name	Remarks	Area
	C 201	QFV72AJ-104Z	M CAPACITOR	.10MF 5% 100V			C 532	QTE1C06-476Z	E CAPACITOR		
	C 202	QFV72AJ-104Z	M CAPACITOR	.10MF 5% 100V			C 533	QTE1V06-106Z	E CAPACITOR		
	C 203	QFV72AJ-104Z	M CAPACITOR	.10MF 5% 100V			C 534	QTE1V06-106Z	E CAPACITOR		
	C 204	QEZO469-478	E CAPACITOR	4700MF			C 535	EETC1AM-107ZJC	E CAPACITOR		
	C 205	QEZO469-478	E CAPACITOR	4700MF			C 579	QETN1HM-474Z	E CAPACITOR	.47MF 20% 50V	
	C 211	QFVJ1HJ-104Z	TF CAPACITOR	.10MF 5% 50V			C 580	QFVJ1HJ-184Z	TF CAPACITOR	.18MF 5% 50V	
	C 212	QFVJ1HJ-104Z	TF CAPACITOR	.10MF 5% 50V			C 581	EETC1HM-105ZJC	E CAPACITOR		
	C 213	QFVJ1HJ-104Z	TF CAPACITOR	.10MF 5% 50V			C 703	QCB1HK-471Y	C CAPACITOR	470PF 10% 50V	
	C 214	EETB1VM-228JC	E CAPACITOR				C 704	QCB1HK-471Y	C CAPACITOR	470PF 10% 50V	
	C 215	EETB1VM-228JC	E CAPACITOR				C 705	QCSB1HJ-220Y	C CAPACITOR	22PF 5% 50V	
	C 216	QETN1VM-107Z	E CAPACITOR	100MF 20% 35V			C 706	QCSB1HJ-220Y	C CAPACITOR	22PF 5% 50V	
	C 217	QETN1JM-476Z	E CAPACITOR	47MF 20% 63V			C 707	QETN1CM-476Z	E CAPACITOR	47MF 20% 16V	
	C 218	EETC1HM-226ZJC	E CAPACITOR				C 708	QETN1CM-476Z	E CAPACITOR	47MF 20% 16V	
	C 219	QDYB1CM-103Y	C CAPACITOR				C 709	QCSB1HK-4R7Y	C CAPACITOR	4.7PF 10% 50V	
	C 220	EETC1HM-226ZJC	E CAPACITOR				C 710	QCSB1HK-4R7Y	C CAPACITOR	4.7PF 10% 50V	
	C 221	EETC1HM-475ZJC	E CAPACITOR				C 711	QETN1JM-476Z	E CAPACITOR	47MF 20% 63V	
	C 222	EETC1HM-475ZJC	E CAPACITOR				C 712	QETN1JM-476Z	E CAPACITOR	47MF 20% 63V	
	C 223	EETC1HM-226ZJC	E CAPACITOR				C 713	QFLM1HJ-473Z	M CAPACITOR	.047MF 5% 50V	
	C 233	QFLM1HJ-103Z	CAPACITOR	.010MF 5% 50V			C 714	QFLM1HJ-473Z	M CAPACITOR	.047MF 5% 50V	
	C 401	QCB1HK-221Y	C CAPACITOR	220PF 10% 50V			C 715	QFLM1HJ-473Z	M CAPACITOR	.047MF 5% 50V	
	C 402	QCB1HK-221Y	C CAPACITOR	220PF 10% 50V			C 716	QFLM1HJ-473Z	M CAPACITOR	.047MF 5% 50V	
	C 403	QETN1AM-477Z	E CAPACITOR	470MF 20% 10V			C 721	QTE1V06-106Z	E CAPACITOR		
	C 404	QETN1CM-476Z	E CAPACITOR	47MF 20% 16V			C 722	QTE1V06-106Z	E CAPACITOR		
	C 411	QCB1HK-221Y	C CAPACITOR	220PF 10% 50V			C 723	EETC1HM-226ZJC	E CAPACITOR		
	C 412	QCB1HK-221Y	C CAPACITOR	220PF 10% 50V			C 726	EETC1EM-106ZJC	E CAPACITOR		
	C 415	QDXB1CM-222Y	C CAPACITOR				C 729	EETC1CM-476ZJC	E CAPACITOR		
	C 426	QDVB1EZ-223Y	C CAPACITOR				C 730	QCF31HZ-223Z	C CAPACITOR	.022MF +80:-20%	
	C 427	EETC1EM-106ZJC	E CAPACITOR				C 731	QCF31HZ-223Z	C CAPACITOR	.022MF +80:-20%	
	C 432	QFLM1HJ-102Z	M CAPACITOR	1000PF 5% 50V			C 732	QDXB1CM-222Y	C CAPACITOR		
	C 433	QFLM1HJ-103Z	M CAPACITOR	.010MF 5% 50V			C 733	QFLM1HJ-104Z	M CAPACITOR	.10MF 5% 50V	
	C 434	QETN0JM-108Z	E CAPACITOR	1000MF 20% 6.3V			C 734	QDXB1CM-222Y	C CAPACITOR		
	C 436	EETC1AM-107ZJC	E CAPACITOR				C 735	QFLM1HJ-104Z	M CAPACITOR	.10MF 5% 50V	
	C 437	EETC1EM-106ZJC	E CAPACITOR				C 736	QFLM1HJ-393Z	M CAPACITOR	.039MF 5% 50V	
	C 438	QDYB1CM-103Y	C CAPACITOR				C 737	QFLM1HJ-393Z	M CAPACITOR	.039MF 5% 50V	
	C 439	QETN1EM-106Z	E CAPACITOR	10MF 20% 25V			C 739	QFLM1HJ-473Z	M CAPACITOR	.047MF 5% 50V	
	C 440	QETN1EM-106Z	E CAPACITOR	10MF 20% 25V			C 742	EETC1HM-224ZJC	E CAPACITOR		
	C 441	QTE1V06-106Z	E CAPACITOR				C 743	QFLM1HJ-823Z	M CAPACITOR	.082MF 5% 50V	
	C 442	QTE1V06-106Z	E CAPACITOR				CNSV1	QGB1214K1-20S	CONNECTOR		
	C 443	QETN1HM-225Z	E CAPACITOR	2.2MF 20% 50V			CNSV2	QGB1214K1-20S	CONNECTOR		
	C 444	QETN1HM-225Z	E CAPACITOR	2.2MF 20% 50V			CNSV3	QGB1214J1-20S	CONNECTOR		
	C 445	QETN1EM-106Z	E CAPACITOR	10MF 20% 25V			CNSV4	QGB1214J1-20S	CONNECTOR		
	C 446	QETN1EM-106Z	E CAPACITOR	10MF 20% 25V			CNSV5	QGF1205C1-40	CONNECTOR		
	C 447	QTE1V06-106Z	E CAPACITOR				CN315	QGF1205F1-10	CONNECTOR		
	C 448	QTE1V06-106Z	E CAPACITOR				CN612	QGB2510J1-04	CONNECTOR		
	C 449	QETN1HM-225Z	E CAPACITOR	2.2MF 20% 50V			CN701	QGB2510K2-07	CONNECTOR		
	C 450	QETN1HM-225Z	E CAPACITOR	2.2MF 20% 50V			CN702	QGB2510K2-10	CONNECTOR		
	C 453	QFVJ1HJ-154Z	TF CAPACITOR	.15MF 5% 50V			CN711	QGB2510J1-07	CONNECTOR		
	C 454	QFVJ1HJ-154Z	TF CAPACITOR	.15MF 5% 50V			CN712	QGB2510J1-10	CONNECTOR		
	C 455	QFVJ1HJ-274Z	CAPACITOR	.27MF 5% 50V			CN870	QGB1214J1-20S	CONNECTOR		
	C 456	QFVJ1HJ-274Z	TF CAPACITOR	.27MF 5% 50V			CN871	QGB1214J1-20S	CONNECTOR		
	C 457	QFLM1HJ-223Z	M CAPACITOR	.022MF 5% 50V			CP431	ICP-N15-T	ICP		
	C 458	QFLM1HJ-223Z	M CAPACITOR	.022MF 5% 50V			CP432	ICP-N15-T	ICP		
	C 459	QFLM1HJ-183Z	M CAPACITOR	.018MF 5% 50V			△	D 201	1N5402M-20	DIODE	
	C 460	QFLM1HJ-183Z	M CAPACITOR	.018MF 5% 50V			△	D 202	1N5402M-20	DIODE	
	C 461	QFLM1HJ-562Z	M CAPACITOR	5600PF 5% 50V			△	D 203	1N5402M-20	DIODE	
	C 462	QFLM1HJ-562Z	M CAPACITOR	5600PF 5% 50V			△	D 204	1N5402M-20	DIODE	
	C 488	EETC1HM-475ZJC	E CAPACITOR				△	D 211	30DF2-FC	DIODE	
	C 526	EETC1AM-107ZJC	E CAPACITOR				△	D 212	30DF2-FC	DIODE	
	C 527	QFLM1HJ-104Z	M CAPACITOR	.10MF 5% 50V			△	D 213	30DF2-FC	DIODE	
	C 528	QFLM1HJ-104Z	M CAPACITOR	.10MF 5% 50V			△	D 214	30DF2-FC	DIODE	
	C 529	QFLM1HJ-104Z	M CAPACITOR	.10MF 5% 50V			△	D 217	1N4003S-T5	SI DIODE	
	C 530	QFLM1HJ-104Z	M CAPACITOR	.10MF 5% 50V			△	D 218	1N4003S-T5	SI DIODE	
	C 531	QTE1C06-476Z	E CAPACITOR				△	D 219	MTZJ33C-T2	Z DIODE	

■ Electrical parts list (Power AMP.&Source select board) Block No. 01

△	Item	Parts number	Parts name	Remarks	Area	△	Item	Parts number	Parts name	Remarks	Area
	D 220	MTZJ9.1B-T2	ZENER DIODE				Q 581	KRC111M-T	TRANSISTOR		
	D 221	MTZJ5.1B-T2	ZENER DIODE				Q 582	KRC111M-T	D.TRANSISTOR		
	D 223	1SS133-T2	SI DIODE				Q 701	KTA1268/GL/-T	TRANSISTOR		
△	D 227	1N4003S-T5	SI DIODE				Q 702	KTA1268/GL/-T	TRANSISTOR		
	D 411	1SS133-T2	SI DIODE				Q 710	2SA1038S/SE/-T	TRANSISTOR		
	D 412	1SS133-T2	SI DIODE				Q 711	KTC3200/GL/-T	TRANSISTOR		
	D 426	MTZJ5.1B-T2	ZENER DIODE				Q 712	KTA1268/GL/-T	TRANSISTOR		
	D 431	1SS133-T2	SI DIODE				Q 713	2SC2389S/SE/-T	TRANSISTOR		
	D 432	1SS133-T2	SI DIODE				Q 726	2SC2389S/SE/-T	TRANSISTOR		
	D 433	1SS133-T2	SI DIODE				Q 727	KTA1268/GL/-T	TRANSISTOR		
	D 434	MTZJ5.1B-T2	ZENER DIODE				Q 728	KTC3199/GL/-T	TRANSISTOR		
	D 573	1SS133-T2	SI DIODE				Q 733	2SC3576-JVC-T	TRANSISTOR		
	D 703	MTZJ15C-T2	Z DIODE				Q 734	2SC3576-JVC-T	TRANSISTOR		
	D 704	MTZJ15C-T2	Z DIODE				Q 735	2SC3576-JVC-T	TRANSISTOR		
	D 719	1SS133-T2	SI DIODE				Q 736	2SC3576-JVC-T	TRANSISTOR		
	D 720	1SS133-T2	SI DIODE				Q 737	KRA111M-T	D.TRANSISTOR		
	D 722	MTZJ15C-T2	Z DIODE				Q 742	2SK301/PQ/-T	TRANSISTOR(FET)		
	D 723	MTZJ33C-T2	Z DIODE			△	R 202	QRZ9042-2R2X	F RESISTOR	2.2 1/0W	
	D 724	MTZJ33C-T2	Z DIODE				R 203	QRE141J-302Y	C RESISTOR	3.0K 5% 1/4W	
	D 725	1SS133-T2	SI DIODE				R 204	QRE141J-223Y	C RESISTOR	22K 5% 1/4W	
	D 728	1SS133-T2	SI DIODE				R 205	QRE141J-104Y	C RESISTOR	100K 5% 1/4W	
	D 742	MTZJ2.4B-T2	Z.DIODE				R 206	QRE141J-562Y	C RESISTOR	5.6K 5% 1/4W	
	FT111	QNG0020-001Z	FUSE CLIP				R 207	QRE141J-103Y	C RESISTOR	10K 5% 1/4W	
	FT112	QNG0020-001Z	FUSE CLIP				R 209	QRE141J-103Y	C RESISTOR	10K 5% 1/4W	
	FT511	QNG0020-001Z	FUSE CLIP				R 210	QRE141J-472Y	C RESISTOR	4.7K 5% 1/4W	
	FT512	QNG0020-001Z	FUSE CLIP				R 211	QRE141J-103Y	C RESISTOR	10K 5% 1/4W	
	FT521	QNG0020-001Z	FUSE CLIP				R 215	QRE141J-473Y	C RESISTOR	47K 5% 1/4W	
	FT522	QNG0020-001Z	FUSE CLIP				R 216	QRE141J-473Y	C RESISTOR	47K 5% 1/4W	
	FW431	QUM156-14Z4Z4	FLAT WIRE			△	R 233	QRK126J-470X	C RESISTOR	47 5% 1/2W	
	FW703	QUM156-14DGZ4	FLAT WIRE			△	R 234	QRK126J-470X	C RESISTOR	47 5% 1/2W	
	FW704	QUM154-15DGZ4	FLAT WIRE				R 242	QRE141J-103Y	C RESISTOR	10K 5% 1/4W	
	FW705	QUM156-11Z4Z4	FLAT WIRE				R 245	QRE141J-103Y	C RESISTOR	10K 5% 1/4W	
	IC436	TDA7439	IC				R 401	QRE141J-102Y	C RESISTOR	1.0K 5% 1/4W	
	IC526	BA15218	IC				R 402	QRE141J-102Y	C RESISTOR	1.0K 5% 1/4W	
△	IC701	STK412-000	IC(HYBRID)				R 403	QRE141J-472Y	C RESISTOR	4.7K 5% 1/4W	
	J 81	QNB0098-001	SPK TERMINAL				R 404	QRE141J-472Y	C RESISTOR	4.7K 5% 1/4W	
	J 411	QNN0117-001	PIN JACK				R 405	QRE141J-222Y	C RESISTOR	2.2K 5% 1/4W	
	J 426	GP1FA550TZ	OPT TRANSMITTER				R 406	QRE141J-222Y	C RESISTOR	2.2K 5% 1/4W	
	L 201	QQR0779-001Z	INDUCTOR				R 407	QRE141J-272Y	C RESISTOR	2.7K 5% 1/4W	
	L 401	QQR0779-001Z	INDUCTOR				R 411	QRE141J-103Y	C RESISTOR	10K 5% 1/4W	
	L 701	QQLZ005-R45	INDUCTOR				R 412	QRE141J-103Y	C RESISTOR	10K 5% 1/4W	
	L 702	QQLZ005-R45	INDUCTOR				R 413	QRE141J-683Y	C RESISTOR	68K 5% 1/4W	
	Q 201	KTA1023/OY/-T	TRANSISTOR				R 414	QRE141J-683Y	C RESISTOR	68K 5% 1/4W	
	Q 203	KRC107M-T	TRANSISTOR				R 426	QRE141J-391Y	C RESISTOR	390 5% 1/4W	
	Q 204	KTC3199/GL/-T	TRANSISTOR				R 431	QRE141J-303Y	C RESISTOR	30K 5% 1/4W	
	Q 240	KTC3199/GL/-T	TRANSISTOR				R 432	QRE141J-303Y	C RESISTOR	30K 5% 1/4W	
	Q 401	2SC3576-JVC-T	TRANSISTOR				R 434	QRJ146J-4R7X	UNF C.RESISTOR	4.7 5% 1/4W	
	Q 402	2SC3576-JVC-T	TRANSISTOR				R 435	QRE141J-103Y	C RESISTOR	10K 5% 1/4W	
	Q 481	2SC3576-JVC-T	TRANSISTOR				R 436	QRE141J-103Y	C RESISTOR	10K 5% 1/4W	
	Q 483	KRA102M-T	D.TRANSISTOR				R 437	QRE141J-102Y	C RESISTOR	1.0K 5% 1/4W	
	Q 559	2SC3576-JVC-T	TRANSISTOR				R 438	QRE141J-272Y	C RESISTOR	2.7K 5% 1/4W	
	Q 561	2SC3576-JVC-T	TRANSISTOR				R 439	QRE141J-562Y	C RESISTOR	5.6K 5% 1/4W	
	Q 562	2SC3576-JVC-T	TRANSISTOR				R 440	QRE141J-562Y	C RESISTOR	5.6K 5% 1/4W	
	Q 571	2SC2785/FE/-T	TRANSISTOR				R 441	QRE141J-272Y	C RESISTOR	2.7K 5% 1/4W	
	Q 572	2SC2785/FE/-T	TRANSISTOR				R 442	QRE141J-103Y	C RESISTOR	10K 5% 1/4W	
	Q 573	2SC2785/FE/-T	TRANSISTOR				R 443	QRE141J-104Y	C RESISTOR	100K 5% 1/4W	
	Q 574	2SC2785/FE/-T	TRANSISTOR				R 444	QRE141J-104Y	C RESISTOR	100K 5% 1/4W	
	Q 575	2SC2785/FE/-T	TRANSISTOR				R 489	QRE141J-102Y	C RESISTOR	1.0K 5% 1/4W	
	Q 576	2SC2785/FE/-T	TRANSISTOR				R 491	QRE141J-102Y	C RESISTOR	1.0K 5% 1/4W	
	Q 577	KRC111M-T	TRANSISTOR				R 493	QRE141J-103Y	C RESISTOR	10K 5% 1/4W	
	Q 578	KRC111M-T	TRANSISTOR				R 496	QRE141J-102Y	C RESISTOR	1.0K 5% 1/4W	
	Q 579	KRC111M-T	TRANSISTOR				R 497	QRE141J-103Y	C RESISTOR	10K 5% 1/4W	
	Q 580	KRC111M-T	TRANSISTOR				R 526	QRE141J-101Y	C RESISTOR	100 5% 1/4W	

■ Electrical parts list (Power AMP.&Source select board) Block No. 01

△	Item	Parts number	Parts name	Remarks	Area
	R 527	QRE141J-222Y	C RESISTOR	2.2K 5% 1/4W	
	R 528	QRE141J-222Y	C RESISTOR	2.2K 5% 1/4W	
	R 529	QRE141J-332Y	C RESISTOR	3.3K 5% 1/4W	
	R 530	QRE141J-332Y	C RESISTOR	3.3K 5% 1/4W	
	R 533	QRE141J-204Y	C RESISTOR	200K 5% 1/4W	
	R 534	QRE141J-204Y	C RESISTOR	200K 5% 1/4W	
	R 535	QRE141J-113Y	C RESISTOR	11K 5% 1/4W	
	R 536	QRE141J-113Y	C RESISTOR	11K 5% 1/4W	
	R 537	QRE141J-101Y	C RESISTOR	100 5% 1/4W	
	R 551	QRE141J-102Y	C RESISTOR	1.0K 5% 1/4W	
	R 552	QRE141J-102Y	C RESISTOR	1.0K 5% 1/4W	
	R 553	QRE141J-223Y	C RESISTOR	22K 5% 1/4W	
	R 554	QRE141J-223Y	C RESISTOR	22K 5% 1/4W	
	R 560	QRE141J-102Y	C RESISTOR	1.0K 5% 1/4W	
	R 561	QRE141J-103Y	C RESISTOR	10K 5% 1/4W	
	R 562	QRE141J-103Y	C RESISTOR	10K 5% 1/4W	
	R 581	QRE141J-224Y	C RESISTOR	220K 5% 1/4W	
	R 582	QRE141J-101Y	C RESISTOR	100 5% 1/4W	
	R 583	QRE141J-101Y	C RESISTOR	100 5% 1/4W	
	R 584	QRE141J-222Y	C RESISTOR	2.2K 5% 1/4W	
	R 585	QRE141J-242Y	C RESISTOR	2.4K 5% 1/4W	
	R 586	QRE141J-274Y	C RESISTOR	270K 5% 1/4W	
	R 587	QRE141J-124Y	C RESISTOR	120K 5% 1/4W	
	R 588	QRE141J-224Y	C RESISTOR	220K 5% 1/4W	
	R 589	QRE141J-101Y	C RESISTOR	100 5% 1/4W	
	R 590	QRE141J-101Y	C RESISTOR	100 5% 1/4W	
	R 593	QRE141J-243Y	C RESISTOR	24K 5% 1/4W	
	R 594	QRE141J-243Y	C RESISTOR	24K 5% 1/4W	
	R 595	QRE141J-433Y	C RESISTOR	43K 5% 1/4W	
	R 596	QRE141J-433Y	C RESISTOR	43K 5% 1/4W	
	R 597	QRE141J-104Y	C RESISTOR	100K 5% 1/4W	
	R 598	QRE141J-104Y	C RESISTOR	100K 5% 1/4W	
	R 701	QRJ146J-470X	UNF C.RESISTOR	47 5% 1/4W	
	R 702	QRJ146J-470X	UNF C.RESISTOR	47 5% 1/4W	
	R 703	QRE141J-563Y	C RESISTOR	56K 5% 1/4W	
	R 704	QRE141J-563Y	C RESISTOR	56K 5% 1/4W	
	R 705	QRJ146J-821X	UNF C.RESISTOR	820 5% 1/4W	
	R 706	QRJ146J-821X	UNF C.RESISTOR	820 5% 1/4W	
	R 707	QRE141J-563Y	C RESISTOR	56K 5% 1/4W	
	R 708	QRE141J-563Y	C RESISTOR	56K 5% 1/4W	
	R 713	QRJ146J-100X	UNF.C RESISTOR	10 5% 1/4W	
	R 714	QRJ146J-100X	UNF.C RESISTOR	10 5% 1/4W	
	R 715	QRJ146J-100X	UNF.C RESISTOR	10 5% 1/4W	
	R 716	QRJ146J-100X	UNF.C RESISTOR	10 5% 1/4W	
	R 717	QRE141J-102Y	C RESISTOR	1.0K 5% 1/4W	
	R 718	QRE141J-102Y	C RESISTOR	1.0K 5% 1/4W	
	R 719	QRE141J-562Y	C RESISTOR	5.6K 5% 1/4W	
	R 720	QRE141J-562Y	C RESISTOR	5.6K 5% 1/4W	
	R 721	QRE141J-103Y	C RESISTOR	10K 5% 1/4W	
	R 722	QRE141J-103Y	C RESISTOR	10K 5% 1/4W	
	R 723	QRE141J-152Y	C RESISTOR	1.5K 5% 1/4W	
	R 724	QRE141J-152Y	C RESISTOR	1.5K 5% 1/4W	
	R 725	QRE141J-823Y	C RESISTOR	82K 5% 1/4W	
	R 726	QRE141J-104Y	C RESISTOR	100K 5% 1/4W	
	R 727	QRE141J-104Y	C RESISTOR	100K 5% 1/4W	
	R 728	QRE141J-103Y	C RESISTOR	10K 5% 1/4W	
	R 729	QRE141J-104Y	C RESISTOR	100K 5% 1/4W	
	R 730	QRE141J-103Y	C RESISTOR	10K 5% 1/4W	
△	R 731	QRJ146J-4R7X	UNF C.RESISTOR	4.7 5% 1/4W	
△	R 732	QRJ146J-4R7X	UNF C.RESISTOR	4.7 5% 1/4W	
	R 733	QRE141J-472Y	C RESISTOR	4.7K 5% 1/4W	
	R 734	QRE141J-472Y	C RESISTOR	4.7K 5% 1/4W	
	R 735	QRE141J-472Y	C RESISTOR	4.7K 5% 1/4W	

△	Item	Parts number	Parts name	Remarks	Area
	R 736	QRE141J-472Y	C RESISTOR	4.7K 5% 1/4W	
	R 739	QRL01DJ-821X	OMF RESISTOR	820 5% 1/1W	
	R 740	QRL01DJ-821X	OMF RESISTOR	820 5% 1/1W	
	R 742	QRE141J-473Y	C RESISTOR	47K 5% 1/4W	
	R 743	QRE141J-153Y	C RESISTOR	15K 5% 1/4W	
	R 744	QRE141J-475Y	C RESISTOR	4.7M 5% 1/4W	
	R 745	QRE141J-105Y	C RESISTOR	1.0M 5% 1/4W	
	R 746	QRE141J-392Y	C RESISTOR	3.9K 5% 1/4W	
	R 747	QRE141J-203Y	C RESISTOR	20K 5% 1/4W	
	R 748	QRE141J-103Y	C RESISTOR	10K 5% 1/4W	
	R 750	QRJ146J-470X	UNF C.RESISTOR	47 5% 1/4W	
	R 753	QRZ0196-R22	EMIT.RESISTOR	1/1W	
	R 754	QRZ0196-R22	EMIT.RESISTOR	1/1W	
	R 761	QRE141J-102Y	C RESISTOR	1.0K 5% 1/4W	
	R 762	QRE141J-102Y	C RESISTOR	1.0K 5% 1/4W	
	R 766	QRE141J-333Y	C RESISTOR	33K 5% 1/4W	
	R 767	QRE141J-103Y	C RESISTOR	10K 5% 1/4W	
	R 768	QRE141J-103Y	C RESISTOR	10K 5% 1/4W	
△	R 774	QRJ146J-100X	UNF.C RESISTOR	10 5% 1/4W	
	R 775	QRE141J-102Y	C RESISTOR	1.0K 5% 1/4W	
	R 776	QRE141J-102Y	C RESISTOR	1.0K 5% 1/4W	
	R 777	QRE141J-103Y	C RESISTOR	10K 5% 1/4W	
	R 778	QRE141J-103Y	C RESISTOR	10K 5% 1/4W	
	R 784	QRE141J-823Y	C RESISTOR	82K 5% 1/4W	
	R 785	QRE141J-823Y	C RESISTOR	82K 5% 1/4W	
	R 786	QRE141J-103Y	C RESISTOR	10K 5% 1/4W	
	R 787	QRE141J-103Y	C RESISTOR	10K 5% 1/4W	
	RY 1	QSK0109-001	RELAY		
	SP701	E3400-439	FELT SPACER		
	SP702	E3400-439	FELT SPACER		
	SP711	E3400-439	FELT SPACER		
	SP712	E3400-439	FELT SPACER		
	TB101	QNZ0079-001Z	TAB		
	TB102	QNZ0079-001Z	TAB		

■ Electrical parts list (System control board)

Block No. 02

△	Item	Parts number	Parts name	Remarks	Area	△	Item	Parts number	Parts name	Remarks	Area
	C 360	QETN1CM-476Z	E CAPACITOR	47MF 20% 16V			CN860	QGB1214K1-20S	CONNECTOR		
	C 361	QDYB1CM-103Y	C CAPACITOR				CN861	QGB1214K1-20S	CONNECTOR		
	C 362	EETC1HM-226ZJC	E CAPACITOR				CN862	QGD2504C1-03Z	SOCKET		
	C 366	EETC1HM-226ZJC	E CAPACITOR				CN863	QGD2504C1-03Z	SOCKET		
	C 367	QDYB1CM-103Y	C CAPACITOR				CN865	QGF1205C1-13	CONNECTOR		
	C 370	QDYB1CM-103Y	C CAPACITOR				CN867	QGA2501C1-02	2P CONNECTOR		
	C 371	EETC1HM-226ZJC	E CAPACITOR				CN868	QGF1016C1-19	CONNECTOR		
	C 372	EETC1HM-226ZJC	E CAPACITOR				CN869	QGF1205C1-11	CONNECTOR		
	C 373	QDYB1CM-103Y	C CAPACITOR				CN879	QGF1031C1-09S	FFC/FPC CONNE		
	C 374	EETC1HM-226ZJC	E CAPACITOR				CN880	QGF1205C1-11	CONNECTOR		
	C 801	QFLM1HJ-103Z	M CAPACITOR	.010MF 5% 50V			CN883	QGD2504C1-03Z	SOCKET		
	C 803	QETN0JM-477Z	E CAPACITOR	470MF 20% 6.3V			CN884	QGD2504C1-03Z	SOCKET		
	C 804	QETN0JM-108Z	E CAPACITOR	1000MF 20% 6.3V			CN900	QGD2504C1-04Z	SOCKET		
	C 805	QDGB1HK-102Y	C CAPACITOR				CN901	QGD2504C1-04Z	SOCKET		
	C 806	QDGB1HK-102Y	C CAPACITOR				CN905	QGF1205C1-11	CONNECTOR		
	C 807	QCS11HJ-390	C CAPACITOR	39PF 5% 50V			CN906	QGF1205C1-11	CONNECTOR		
	C 808	QCS11HJ-330	C CAPACITOR	33PF 5% 50V			CN979	QGF1016F1-09	CONNECTOR		
	C 809	QCS11HJ-330	C CAPACITOR	33PF 5% 50V			CN990	QGF1205F1-11	CONNECTOR		
	C 810	QCS11HJ-390	C CAPACITOR	39PF 5% 50V			C1001	QDXB1CM-392Y	C CAPACITOR		
	C 811	QDGB1HK-102Y	C CAPACITOR				C1002	QDXB1CM-392Y	C CAPACITOR		
	C 812	QCS11HJ-220	C CAPACITOR	22PF 5% 50V			C1003	QDXB1CM-222Y	C CAPACITOR		
	C 813	QCS11HJ-270	C CAPACITOR	27PF 5% 50V			C1004	QDGB1HK-102Y	C CAPACITOR		
	C 815	EETC1HM-226ZJC	E CAPACITOR				C1005	QDGB1HK-102Y	C CAPACITOR		
	C 816	EETC1CM-476ZJC	E CAPACITOR				C1006	QDGB1HK-102Y	C CAPACITOR		
	C 817	EETC1HM-226ZJC	E CAPACITOR				D 360	MTZJ5.1B-T2	ZENER DIODE		
	C 818	QCBB1HK-221Y	C CAPACITOR	220PF 10% 50V			D 361	MTZJ11C-T2	Z.DIODE		
	C 820	QCZ0205-155Z	ML C CAPACITOR	1.5MF			D 362	MTZJ6.8C-T2	Z DIODE		
	C 821	QDYB1CM-103Y	C CAPACITOR				D 365	MTZJ9.1B-T2	ZENER DIODE		
	C 823	QFVJ1HJ-334Z	M CAPACITOR	.33MF 5% 50V			D 366	MTZJ11C-T2	Z.DIODE		
	C 831	QDYB1CM-103Y	C CAPACITOR				D 367	MTZJ10C-T2	Z.DIODE		
	C 832	QDYB1CM-103Y	C CAPACITOR				D 368	MTZJ11C-T2	Z.DIODE		
	C 834	EETC1HM-226ZJC	E CAPACITOR				D 369	MTZJ10C-T2	Z.DIODE		
	C 835	QDGB1HK-102Y	C CAPACITOR				D 370	MTZJ11C-T2	Z.DIODE		
	C 855	EETC0JM-227ZJC	E CAPACITOR				D 801	1N4003S-T5	SI DIODE		
	C 856	EETC1AM-107ZJC	E CAPACITOR				D 803	1SS119-02-T2	SI DIODE		
	C 857	EETC1CM-476ZJC	E CAPACITOR				D 804	1SS133-T2	SI DIODE		
	C 862	EETC1HM-475ZJC	E CAPACITOR				D 805	1SS133-T2	SI DIODE		
	C 870	QDYB1CM-103Y	C CAPACITOR				D 831	MTZJ5.1B-T2	ZENER DIODE		
	C 871	EETC1HM-475ZJC	E CAPACITOR				D 832	MTZJ5.1B-T2	ZENER DIODE		
	C 872	EETC1HM-224ZJC	E CAPACITOR				D 853	MTZJ8.2C-T2	ZENER DIODE		
	C 876	EETC1HM-105ZJC	E CAPACITOR				D 860	1SS133-T2	SI DIODE		
	C 877	QDGB1HK-681Y	C CAPACITOR				D 871	1SS133-T2	SI DIODE		
	C 878	QDXB1CM-182Y	C CAPACITOR				D 872	1SS133-T2	SI DIODE		
	C 879	QCS11HJ-330	C CAPACITOR	33PF 5% 50V			D 873	1SS133-T2	SI DIODE		
	C 880	QFLM1HJ-153Z	M CAPACITOR	.015MF 5% 50V			D 955	SLR-342MC-T	LED		
	C 881	QETN1EM-106Z	E CAPACITOR	10MF 20% 25V			D 956	SLR-342MC-T	LED		
	C 882	QETN1EM-106Z	E CAPACITOR	10MF 20% 25V			D 957	SLR-342MC-T	LED		
	C 883	QFLM1HJ-104Z	M CAPACITOR	.10MF 5% 50V			D 958	SLR-342MC-T	LED		
	C 884	QETN1AM-227Z	E CAPACITOR	220MF 20% 10V			D 961	1SS133-T2	SI DIODE		
	C 885	QFLM1HJ-103Z	M CAPACITOR	.010MF 5% 50V			D 962	SLA-370LT3F	LED	POWER LED	
	C 886	QFLM1HJ-103Z	M CAPACITOR	.010MF 5% 50V			D 981	SLR-342MC-T	LED		
	C 887	QFVJ1HJ-104Z	TF CAPACITOR	.10MF 5% 50V			D 982	SLR-342MC-T	LED		
	C 889	EETC1HM-105ZJC	E CAPACITOR				D 983	SLR-342MC-T	LED		
	C 890	QDGB1HK-102Y	C CAPACITOR				D 984	SLR-342MC-T	LED		
	C 950	QDYB1CM-103Y	C CAPACITOR				EP201	E409182-001SM	GRAND TERMINAL		
	C 951	QDYB1CM-103Y	C CAPACITOR				FL801	QLF0074-001	FL TUBE		
	C 991	QDYB1CM-103Y	C CAPACITOR				FW850	QUM153-06Z4Z4	FLAT WIRE		
	C 992	QDYB1CM-103Y	C CAPACITOR				FW862	QUM026-26DGZ4	FLAT WIRE		
	CN602	QGB2510K2-04	CONNECTOR				FW883	QUM026-26DGZ4	PARA RIBON WIRE		
	CN713	VMC0107-R06	4P PLUG ASSY				FW915	QUM153-12DGZ4	FLAT WIRE		
	CN815	QGD2504C1-03Z	SOCKET				FW950	QUM157-11DGZ4	FLAT WIRE		
	CN850	QGD2504C1-03Z	SOCKET				FW951	QUM154-06Z4Z4	FLAT WIRE		
	CN851	QGD2504C1-04Z	SOCKET				FW952	QUM024-16DGZ4	PARA RIBON WIRE		

■ Electrical parts list(System control board)

Block No. 02

△	Item	Parts number	Parts name	Remarks	Area	△	Item	Parts number	Parts name	Remarks	Area
	IC810	MN101C35DEA2	IC				R 364	QRE141J-122Y	C RESISTOR	1.2K 5% 1/4W	
	IC811	BU4094BC	IC				R 365	QRE141J-561Y	C RESISTOR	560 5% 1/4W	
	IC853	LB1641	IC				R 366	QRE141J-561Y	C RESISTOR	560 5% 1/4W	
	IC915	GP1U281X	IC				R 367	QRE141J-122Y	C RESISTOR	1.2K 5% 1/4W	
	JS950	QSW0857-001	ROTARY ENCODER				R 368	QRE141J-331Y	C RESISTOR	330 5% 1/4W	
	JS992	QSW0857-001	ROTARY ENCODER			△	R 372	QRE141J-4R7Y	C RESISTOR	4.7 5% 1/4W	
	J1001	QNS0159-001	3.5 JACK				R 376	QRE141J-221Y	C RESISTOR	220 5% 1/4W	
	L 801	QQL29BJ-100Z	INDUCTOR				R 377	QRE141J-561Y	C RESISTOR	560 5% 1/4W	
	L 802	QQL231K-220Y	INDUCTOR				R 378	QRE141J-152Y	C RESISTOR	1.5K 5% 1/4W	
	L 803	QQL29BJ-100Z	INDUCTOR				R 381	QRE141J-182Y	C RESISTOR	1.8K 5% 1/4W	
	L 804	QQR0779-001Z	INDUCTOR				R 382	QRE141J-221Y	C RESISTOR	220 5% 1/4W	
	L 805	QQL29BJ-100Z	INDUCTOR				R 384	QRE141J-272Y	C RESISTOR	2.7K 5% 1/4W	
	L 806	QQL29BJ-100Z	INDUCTOR				R 385	QRE141J-562Y	C RESISTOR	5.6K 5% 1/4W	
	L 807	QQR0779-001Z	INDUCTOR				R 388	QRE141J-681Y	C RESISTOR	680 5% 1/4W	
	L 808	QQR0779-001Z	INDUCTOR				R 389	QRE141J-103Y	C RESISTOR	10K 5% 1/4W	
	L 851	QQL29BJ-100Z	INDUCTOR			△	R 395	QRZ9042-2R2X	F.RESISTOR	2.2 1/0W	
	L 870	QQR0779-001Z	INDUCTOR			△	R 396	QRZ9042-2R2X	F.RESISTOR	2.2 1/0W	
	L1001	QQL231K-470Y	INDUCTOR				R 801	QRE141J-331Y	C RESISTOR	330 5% 1/4W	
	L1002	QQL231K-470Y	INDUCTOR				R 802	QRE141J-223Y	C RESISTOR	22K 5% 1/4W	
	L1003	QQR0779-001Z	INDUCTOR				R 803	QRE141J-223Y	C RESISTOR	22K 5% 1/4W	
	Q 360	2SD2395/EF/	TRANSISTOR				R 804	QRE141J-822Y	C RESISTOR	8.2K 5% 1/4W	
	Q 361	KTC3199/GL/-T	TRANSISTOR				R 805	QRE141J-822Y	C RESISTOR	8.2K 5% 1/4W	
	Q 362	KTC3199/GL/-T	TRANSISTOR				R 806	QRE141J-124Y	C RESISTOR	120K 5% 1/4W	
	Q 366	2SD2395/EF/	TRANSISTOR				R 807	QRE141J-103Y	C RESISTOR	10K 5% 1/4W	
	Q 367	KTA1267/YG/-T	TRANSISTOR				R 808	QRE141J-103Y	C RESISTOR	10K 5% 1/4W	
	Q 368	KTC3199/GL/-T	TRANSISTOR				R 809	QRE141J-103Y	C RESISTOR	10K 5% 1/4W	
	Q 369	2SD2395/EF/	TRANSISTOR				R 810	QRE141J-103Y	C RESISTOR	10K 5% 1/4W	
	Q 370	KTC3199/GL/-T	TRANSISTOR				R 811	QRE141J-103Y	C RESISTOR	10K 5% 1/4W	
	Q 371	KTA1023/OY/-T	TRANSISTOR				R 812	QRE141J-103Y	C RESISTOR	10K 5% 1/4W	
	Q 372	KTA1023/OY/-T	TRANSISTOR				R 813	QRE141J-103Y	C RESISTOR	10K 5% 1/4W	
	Q 373	KRA104M-T	D.TRANSISTOR				R 814	QRE141J-562Y	C RESISTOR	5.6K 5% 1/4W	
	Q 374	KRC104M-T	D.TRANSISTOR				R 815	QRE141J-563Y	C RESISTOR	56K 5% 1/4W	
	Q 375	KTA1267/YG/-T	TRANSISTOR				R 816	QRE141J-563Y	C RESISTOR	56K 5% 1/4W	
	Q 801	KTC3195/O/-T	TRANSISTOR				R 817	QRE141J-103Y	C RESISTOR	10K 5% 1/4W	
	Q 802	KTC3195/O/-T	TRANSISTOR				R 818	QRE141J-103Y	C RESISTOR	10K 5% 1/4W	
	Q 803	KRC102M-T	D.TRANSISTOR				R 819	QRE141J-102Y	C RESISTOR	1.0K 5% 1/4W	
	Q 804	KRC102M-T	D.TRANSISTOR				R 820	QRE141J-102Y	C RESISTOR	1.0K 5% 1/4W	
	Q 805	KRC102M-T	D.TRANSISTOR				R 821	QRE141J-103Y	C RESISTOR	10K 5% 1/4W	
	Q 806	KRC102M-T	D.TRANSISTOR				R 822	QRE141J-103Y	C RESISTOR	10K 5% 1/4W	
	Q 807	KRC102M-T	D.TRANSISTOR				R 823	QRE141J-102Y	C RESISTOR	1.0K 5% 1/4W	
	Q 808	KRC102M-T	D.TRANSISTOR				R 824	QRE141J-102Y	C RESISTOR	1.0K 5% 1/4W	
	Q 809	KRC102M-T	D.TRANSISTOR				R 827	QRE141J-103Y	C RESISTOR	10K 5% 1/4W	
	Q 810	KRC102M-T	D.TRANSISTOR				R 831	QRE141J-104Y	C RESISTOR	100K 5% 1/4W	
	Q 811	KRC102M-T	D.TRANSISTOR				R 834	QRE141J-104Y	C RESISTOR	100K 5% 1/4W	
	Q 851	KTC3199/GL/-T	TRANSISTOR				R 835	QRE141J-104Y	C RESISTOR	100K 5% 1/4W	
	Q 860	KTC3199/GL/-T	TRANSISTOR				R 836	QRE141J-104Y	C RESISTOR	100K 5% 1/4W	
	Q 870	2SA1175/HFE/-T	TRANSISTOR				R 837	QRE141J-104Y	C RESISTOR	100K 5% 1/4W	
	Q 871	KTC3199/GL/-T	TRANSISTOR				R 838	QRE141J-102Y	C RESISTOR	1.0K 5% 1/4W	
	Q 872	KRC107M-T	D.TRANSISTOR				R 839	QRE141J-102Y	C RESISTOR	1.0K 5% 1/4W	
	Q 873	KTC3199/GL/-T	TRANSISTOR				R 840	QRE141J-103Y	C RESISTOR	10K 5% 1/4W	
	Q 874	KTC3199/GL/-T	TRANSISTOR				R 841	QRE141J-103Y	C RESISTOR	10K 5% 1/4W	
	Q 875	KRC102M-T	D.TRANSISTOR				R 842	QRE141J-103Y	C RESISTOR	10K 5% 1/4W	
	Q 877	KRC114M-T	D.TRANSISTOR				R 843	QRE141J-221Y	C RESISTOR	220 5% 1/4W	
	Q 878	KRA102M-T	D.TRANSISTOR				R 844	QRE141J-103Y	C RESISTOR	10K 5% 1/4W	
	Q 879	KRA102M-T	D.TRANSISTOR				R 845	QRE141J-102Y	C RESISTOR	1.0K 5% 1/4W	
	Q 880	KRC102M-T	D.TRANSISTOR				R 846	QRE141J-102Y	C RESISTOR	1.0K 5% 1/4W	
	Q 905	KRC107M-T	D.TRANSISTOR				R 847	QRE141J-102Y	C RESISTOR	1.0K 5% 1/4W	
	Q 906	KRC107M-T	D.TRANSISTOR				R 848	QRE141J-331Y	C RESISTOR	330 5% 1/4W	
	Q 961	KRA102M-T	D.TRANSISTOR				R 849	QRE141J-102Y	C RESISTOR	1.0K 5% 1/4W	
△	R 360	QRZ9042-2R2X	F RESISTOR	2.2 1/0W			R 850	QRE141J-681Y	C RESISTOR	680 5% 1/4W	
△	R 361	QRZ9006-4R7X	UNF C.RESISTOR	4.7 1/0W			R 851	QRE141J-391Y	C RESISTOR	390 5% 1/4W	
	R 362	QRE141J-331Y	C RESISTOR	330 5% 1/4W			R 852	QRE141J-4R7Y	C RESISTOR	4.7 5% 1/4W	
	R 363	QRE141J-331Y	C RESISTOR	330 5% 1/4W			R 853	QRZ9042-2R2X	F RESISTOR	2.2 1/0W	

■ Electrical parts list (System control board)

Block No. 02

△	Item	Parts number	Parts name	Remarks	Area	△	Item	Parts number	Parts name	Remarks	Area
	R 856	QRE141J-100Y	C RESISTOR	10 5% 1/4W			R 956	QRE141J-680Y	C RESISTOR	68 5% 1/4W	
	R 857	QRE141J-104Y	C RESISTOR	100K 5% 1/4W			R 961	QRE141J-201Y	C RESISTOR	200 5% 1/4W	
	R 858	QRE141J-104Y	C RESISTOR	100K 5% 1/4W			R 962	QRE141J-103Y	C RESISTOR	10K 5% 1/4W	
	R 860	QRE141J-684Y	C RESISTOR	680K 5% 1/4W			R 963	QRE141J-103Y	C RESISTOR	10K 5% 1/4W	
	R 861	QRE141J-103Y	C RESISTOR	10K 5% 1/4W			R 964	QRE141J-334Y	C RESISTOR	330K 5% 1/4W	
	R 862	QRE141J-220Y	C RESISTOR	22 5% 1/4W			R 981	QRE141J-680Y	C RESISTOR	68 5% 1/4W	
	R 864	QRE141J-103Y	C RESISTOR	10K 5% 1/4W			R 982	QRE141J-680Y	C RESISTOR	68 5% 1/4W	
	R 870	QRE141J-473Y	C RESISTOR	47K 5% 1/4W			R 985	QRE141J-392Y	C RESISTOR	3.9K 5% 1/4W	
	R 871	QRE141J-102Y	C RESISTOR	1.0K 5% 1/4W			R 986	QRE141J-562Y	C RESISTOR	5.6K 5% 1/4W	
	R 872	QRE141J-103Y	C RESISTOR	10K 5% 1/4W			R 991	QRE141J-102Y	C RESISTOR	1.0K 5% 1/4W	
	R 873	QRE141J-103Y	C RESISTOR	10K 5% 1/4W			R 992	QRE141J-102Y	C RESISTOR	1.0K 5% 1/4W	
	R 874	QRE141J-182Y	C RESISTOR	1.8K 5% 1/4W			R 993	QRE141J-122Y	C RESISTOR	1.2K 5% 1/4W	
	R 875	QRE141J-472Y	C RESISTOR	4.7K 5% 1/4W			R 994	QRE141J-152Y	C RESISTOR	1.5K 5% 1/4W	
	R 876	QRE141J-103Y	C RESISTOR	10K 5% 1/4W			R 995	QRE141J-222Y	C RESISTOR	2.2K 5% 1/4W	
	R 879	QRE141J-473Y	C RESISTOR	47K 5% 1/4W			R 996	QRE141J-272Y	C RESISTOR	2.7K 5% 1/4W	
	R 880	QRE141J-225Y	C RESISTOR	2.2M 5% 1/4W			RA801	QRB169J-104	R.NETWORK	100K 5% 1/6W	
	R 881	QRE141J-103Y	C RESISTOR	10K 5% 1/4W			RA802	QRB169J-104	R.NETWORK	100K 5% 1/6W	
	R 882	QRE141J-104Y	C RESISTOR	100K 5% 1/4W			S 921	QSW0825-001Z	TACT SWITCH		
	R 883	QRE141J-220Y	C RESISTOR	22 5% 1/4W			S 922	QSW0825-001Z	TACT SWITCH		
	R 885	QRE141J-102Y	C RESISTOR	1.0K 5% 1/4W			S 923	QSW0825-001Z	TACT SWITCH		
	R 886	QRE141J-102Y	C RESISTOR	1.0K 5% 1/4W			S 924	QSW0825-001Z	TACT SWITCH		
	R 887	QRE141J-102Y	C RESISTOR	1.0K 5% 1/4W			S 925	QSW0825-001Z	TACT SWITCH		
	R 888	QRE141J-102Y	C RESISTOR	1.0K 5% 1/4W			S 926	QSW0825-001Z	TACT SWITCH		
	R 889	QRE141J-102Y	C RESISTOR	1.0K 5% 1/4W			S 927	QSW0825-001Z	TACT SWITCH		
	R 891	QRE141J-104Y	C RESISTOR	100K 5% 1/4W			S 928	QSW0825-001Z	TACT SWITCH		
	R 892	QRE141J-104Y	C RESISTOR	100K 5% 1/4W			S 931	QSW0825-001Z	TACT SWITCH		
	R 893	QRE141J-334Y	C RESISTOR	330K 5% 1/4W			S 932	QSW0825-001Z	TACT SWITCH		
△	R 894	QRE141J-753Y	C RESISTOR	75K 5% 1/4W			S 933	QSW0825-001Z	TACT SWITCH		RDS
	R 895	QRE141J-152Y	C RESISTOR	1.5K 5% 1/4W			S 934	QSW0825-001Z	TACT SWITCH		RDS
	R 896	QRE141J-103Y	C RESISTOR	10K 5% 1/4W			S 935	QSW0825-001Z	TACT SWITCH		RDS
	R 897	QRE141J-152Y	C RESISTOR	1.5K 5% 1/4W			S 936	QSW0825-001Z	TACT SWITCH		RDS
	R 898	QRE141J-103Y	C RESISTOR	10K 5% 1/4W			S 937	QSW0825-001Z	TACT SWITCH		
	R 899	QRE141J-4R3Y	C RESISTOR	4.3 5% 1/4W			S 938	QSW0825-001Z	TACT SWITCH		
	R 905	QRE141J-563Y	C RESISTOR	56K 5% 1/4W			S 939	QSW0825-001Z	TACT SWITCH		
	R 906	QRE141J-563Y	C RESISTOR	56K 5% 1/4W			S 941	QSW0825-001Z	TACT SWITCH		PANEL OP
	R 921	QRE141J-102Y	C RESISTOR	1.0K 5% 1/4W			S 942	QSW0825-001Z	TACT SWITCH		PANEL CL
	R 922	QRE141J-102Y	C RESISTOR	1.0K 5% 1/4W			S 943	QSW0825-001Z	TACT SWITCH		
	R 923	QRE141J-122Y	C RESISTOR	1.2K 5% 1/4W			S 944	QSW0825-001Z	TACT SWITCH		
	R 924	QRE141J-152Y	C RESISTOR	1.5K 5% 1/4W			S 945	QSW0825-001Z	TACT SWITCH		
	R 925	QRE141J-222Y	C RESISTOR	2.2K 5% 1/4W			S 946	QSW0825-001Z	TACT SWITCH		
	R 926	QRE141J-272Y	C RESISTOR	2.7K 5% 1/4W			S 948	QSW0518-001	PUSH SW		
	R 927	QRE141J-392Y	C RESISTOR	3.9K 5% 1/4W			S 949	QSW0122-001	PUSH SWITCH		
	R 928	QRE141J-562Y	C RESISTOR	5.6K 5% 1/4W			S 952	QSW0825-001Z	TACT SWITCH		
	R 931	QRE141J-202Y	C RESISTOR	2.0K 5% 1/4W			S 953	QSW0825-001Z	TACT SWITCH		
	R 932	QRE141J-122Y	C RESISTOR	1.2K 5% 1/4W			S 963	QSW0825-001Z	TACT SWITCH		
	R 933	QRE141J-152Y	C RESISTOR	1.5K 5% 1/4W			S 985	QSW0825-001Z	TACT SWITCH		
	R 934	QRE141J-222Y	C RESISTOR	2.2K 5% 1/4W			S 986	QSW0825-001Z	TACT SWITCH		
	R 935	QRE141J-272Y	C RESISTOR	2.7K 5% 1/4W			S 991	QSW0825-001Z	TACT SWITCH		
	R 936	QRE141J-392Y	C RESISTOR	3.9K 5% 1/4W			S 992	QSW0825-001Z	TACT SWITCH		
	R 937	QRE141J-562Y	C RESISTOR	5.6K 5% 1/4W			S 993	QSW0825-001Z	TACT SWITCH		
	R 938	QRE141J-103Y	C RESISTOR	10K 5% 1/4W			S 994	QSW0825-001Z	TACT SWITCH		
	R 939	QRE141J-103Y	C RESISTOR	10K 5% 1/4W			S 995	QSW0825-001Z	TACT SWITCH		
	R 941	QRE141J-102Y	C RESISTOR	1.0K 5% 1/4W			S 996	QSW0825-001Z	TACT SWITCH		
	R 942	QRE141J-102Y	C RESISTOR	1.0K 5% 1/4W			S 997	QSW0825-001Z	TACT SWITCH		
	R 943	QRE141J-122Y	C RESISTOR	1.2K 5% 1/4W			SP801	VYH7653-001	IC HOLDER		
	R 944	QRE141J-152Y	C RESISTOR	1.5K 5% 1/4W			X 801	QAX0283-001Z	RESONATOR		
	R 945	QRE141J-222Y	C RESISTOR	2.2K 5% 1/4W			X 802	QAX0401-001	CRYSTAL		
	R 946	QRE141J-272Y	C RESISTOR	2.7K 5% 1/4W							
	R 951	QRE141J-334Y	C RESISTOR	330K 5% 1/4W							
	R 952	QRE141J-392Y	C RESISTOR	3.9K 5% 1/4W							
	R 953	QRE141J-562Y	C RESISTOR	5.6K 5% 1/4W							
	R 954	QRE141J-103Y	C RESISTOR	10K 5% 1/4W							
	R 955	QRE141J-680Y	C RESISTOR	68 5% 1/4W							

■ Electrical parts list (Tuner board)

Block No. 03

△	Item	Parts number	Parts name	Remarks	Area	△	Item	Parts number	Parts name	Remarks	Area
	C 1	NCB21HK-223X	C CAPACITOR				CF 2	QAX0403-001	C FILTER		
	C 2	NCB21HK-103X	C CAPACITOR				CF 3	QAX0610-001Z	C DISCRIMINATOR		
	C 3	EETC1CM-106ZJC	E CAPACITOR				CN 1	QGF1205F1-13	CONNECTOR		
	C 4	NCB21HK-103X	C CAPACITOR				CN 3	QGF1205C1-11	CONNECTOR		
	C 6	NCB21HK-222X	C CAPACITOR				D 1	1SS133-T2	SI DIODE		
	C 7	NCB21HK-102X	C CAPACITOR				D 2	1SS133-T2	SI DIODE		
	C 8	NCB21HK-102X	C CAPACITOR				D 3	1SS133-T2	SI DIODE		
	C 9	NCB21HK-102X	C CAPACITOR				D 4	1SS133-T2	SI DIODE		
	C 10	NCS21HJ-120X	C CAPACITOR				D 11	1SS133-T2	SI DIODE		
	C 11	NCB21HK-104X	C CAPACITOR				IC 1	LA1838	IC		
	C 12	NCB21HK-473X	C CAPACITOR				IC 2	LC72136N	IC		
	C 13	NCS21HJ-120X	C CAPACITOR				IC 3	LC72723	IC		
	C 14	QEKC1AM-107Z	E CAPACITOR	100MF 20% 10V			J 1	QNB0014-001	ANT TERMINAL		
	C 15	NCS21HJ-120X	C CAPACITOR				L 1	QQR1094-001	COIL BLOCK		
	C 16	NCS21HJ-120X	C CAPACITOR				L 2	QQL231K-330Y	INDUCTOR		
	C 17	NCB21HK-392X	C CAPACITOR				L 3	QQL231K-4R7Y	INDUCTOR		
	C 18	QE61HM-474Z	N.P.E.CAPACITOR	.47MF 20% 50V			L 70	QQL231K-101Y	INDUCTOR		
	C 19	NCB21HK-473X	C CAPACITOR				Q 1	2SC2814/4-5/-X	TRANSISTOR		
	C 20	NCB21HK-102X	C CAPACITOR				Q 2	2SC2412K/R/-X	TRANSISTOR		
	C 21	NCB21HK-223X	C CAPACITOR				Q 3	2SC2412K/R/-X	TRANSISTOR		
	C 22	NCS21HJ-151X	C CAPACITOR				Q 4	DTA114YKA-X	TRANSISTOR		
	C 23	NCS21HJ-151X	C CAPACITOR				Q 5	DTA114YKA-X	TRANSISTOR		
	C 24	NCS21HJ-151X	C CAPACITOR				R 2	NRSA02J-331X	MG RESISTOR		
	C 25	QEKC1AM-107Z	E CAPACITOR	100MF 20% 10V			R 3	NRSA02J-224X	MG RESISTOR		
	C 26	NCB21HK-103X	C CAPACITOR				R 4	NRSA02J-331X	MG RESISTOR		
	C 27	NCB21HK-103X	C CAPACITOR				R 5	NRSA02J-750X	MG RESISTOR		
	C 30	EETC1CM-107ZJC	E CAPACITOR				R 6	NRSA02J-240X	MG RESISTOR		
	C 31	QEKC1CM-226Z	E CAPACITOR	22MF 20% 16V			R 7	QRE141J-102Y	C RESISTOR	1.0K 5% 1/4W	
	C 32	NCB21HK-473X	C CAPACITOR				R 10	NRSA02J-222X	MG RESISTOR		
	C 33	NCB21HK-473X	C CAPACITOR				R 11	NRSA02J-472X	MG RESISTOR		
	C 34	NCB21HK-223X	C CAPACITOR				R 12	NRSA02J-472X	MG RESISTOR		
	C 35	NCB21HK-473X	C CAPACITOR				R 13	NRSA02J-103X	MG RESISTOR		
	C 36	EETC1HM-105ZJC	E CAPACITOR				R 14	NRSA02J-104X	MG RESISTOR		
	C 37	EETC1HM-105ZJC	E CAPACITOR				R 15	NRSA02J-332X	MG RESISTOR		
	C 38	EETC1HM-224ZJC	E CAPACITOR				R 16	NRSA02J-472X	MG RESISTOR		
	C 39	EETC1HM-105ZJC	E CAPACITOR				R 17	QRZ9005-680X	F RESISTOR	68 1/0W	
	C 40	QETN1CM-106Z	E CAPACITOR	10MF 20% 16V			R 18	NRSA02J-102X	MG RESISTOR		
	C 41	QETN1CM-106Z	E CAPACITOR	10MF 20% 16V			R 19	NRSA02J-102X	MG RESISTOR		
	C 42	NCB21HK-182X	C CAPACITOR				R 20	NRSA02J-102X	MG RESISTOR		
	C 43	NCB21HK-182X	C CAPACITOR				R 21	NRSA02J-562X	MG RESISTOR		
	C 44	QETN1CM-106Z	E CAPACITOR	10MF 20% 16V			R 22	NRSA02J-472X	MG RESISTOR		
	C 45	QETN1CM-106Z	E CAPACITOR	10MF 20% 16V			R 23	NRSA02J-182X	MG RESISTOR		
	C 46	NCB21HK-223X	C CAPACITOR				R 24	NRSA02J-103X	MG RESISTOR		
	C 47	EETC1HM-105ZJC	E CAPACITOR				R 25	NRSA02J-331X	MG RESISTOR		
	C 48	NCB21HK-222X	C CAPACITOR				R 26	NRSA02J-222X	MG RESISTOR		
	C 50	QEKC1CM-226Z	E CAPACITOR	22MF 20% 16V			R 27	NRSA02J-103X	MG RESISTOR		
	C 51	QEKC1HM-105Z	E CAPACITOR	1.0MF 20% 50V			R 28	NRSA02J-103X	MG RESISTOR		
	C 52	QFVJ1HJ-274Z	CAPACITOR	.27MF 5% 50V			R 29	NRSA02J-103X	MG RESISTOR		
	C 53	EETC1CM-226ZJC	E CAPACITOR				R 30	NRSA02J-122X	MG RESISTOR		
	C 54	NCB21HK-473X	C CAPACITOR				R 31	NRSA02J-102X	MG RESISTOR		
	C 55	NCS21HJ-330X	C CAPACITOR				R 32	NRSA02J-102X	MG RESISTOR		
	C 56	NCS21HJ-100X	C CAPACITOR				R 33	NRSA02J-331X	MG RESISTOR		
	C 57	NCB21HK-102X	C CAPACITOR				R 34	NRSA02J-470X	MG RESISTOR		
	C 58	NCB21HK-473X	C CAPACITOR				R 35	NRSA02J-562X	MG RESISTOR		
	C 59	NCB21HK-102X	C CAPACITOR				R 36	NRSA02J-332X	MG RESISTOR		
	C 70	NCS21HJ-220X	C CAPACITOR				R 37	NRSA02J-103X	MG RESISTOR		
	C 71	NCS21HJ-220X	C CAPACITOR				R 38	NRSA02J-393X	MG RESISTOR		
	C 72	NCB21HK-561X	C CAPACITOR				R 39	NRSA02J-393X	MG RESISTOR		
	C 73	NCB21HK-104X	C CAPACITOR				R 40	NRSA02J-393X	MG RESISTOR		
	C 74	NCB21HK-104X	C CAPACITOR				R 41	NRSA02J-332X	MG RESISTOR		
	C 75	EETC1HM-106ZJC	E CAPACITOR				R 60	NRSA02J-0R0X	MG RESISTOR		
	C 76	NCB21HK-331X	C CAPACITOR				R 70	NRSA02J-103X	MG RESISTOR		
	CF 1	QAX0403-001	C FILTER				R 71	NRSA02J-102X	MG RESISTOR		

■ Electrical parts list (Tuner board)

Block No. 03

△	Item	Parts number	Parts name	Remarks	Area
	R 72	NRSA02J-102X	MG RESISTOR		
	R 73	NRSA02J-102X	MG RESISTOR		
	T 1	QQR0793-001	IFT		
	TU 1	QAU0036-001	FRONT END		
	X 1	QAX0402-001	CRYSTAL		
	X 70	QAX0263-001Z	CRYSTAL		

■ Electrical parts list (POLAR board)

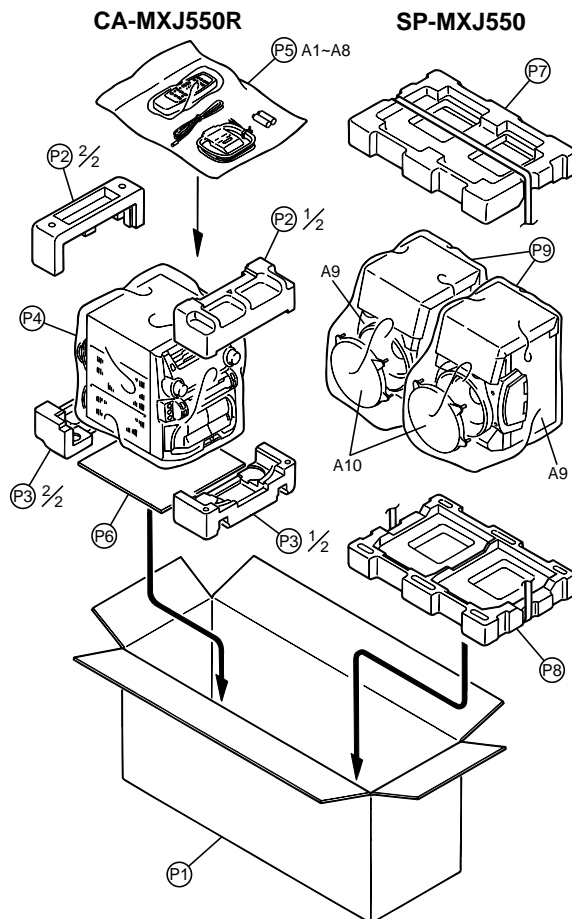
Block No. 09

△	Item	Parts number	Parts name	Remarks	Area
	C 110	EETC1HM-105ZJC	E CAPACITOR		
	C 111	EETC1HM-335ZJC	E CAPACITOR		
	C 113	QFP32AJ-103Z	PP CAPACITOR	.010MF 5% 100V	
	C 114	QFP32AJ-103Z	PP CAPACITOR	.010MF 5% 100V	
	C 115	QCBB1HK-271Y	C CAPACITOR	270PF 10% 50V	
	C 116	QCBB1HK-271Y	C CAPACITOR	270PF 10% 50V	
	C 117	EETC1HM-475ZJC	E CAPACITOR		
	C 118	EETC1HM-475ZJC	E CAPACITOR		
	C 119	QDXB1CM-222Y	C CAPACITOR		
	C 120	QDXB1CM-222Y	C CAPACITOR		
	C 121	QETN1AM-226Z	E CAPACITOR	22MF 20% 10V	
	C 122	QCS11HJ-221	C CAPACITOR	220PF 5% 50V	
	C 123	QCS11HJ-221	C CAPACITOR	220PF 5% 50V	
	C 124	QCBB1HK-103Y	C CAPACITOR	.010MF 10% 50V	
	C 125	EETC1HM-105ZJC	E CAPACITOR		
	C 126	EETC1HM-105ZJC	E CAPACITOR		
	C 127	EETC1HM-105ZJC	E CAPACITOR		
	C 128	EETC1HM-335ZJC	E CAPACITOR		
	C 129	EETC1HM-105ZJC	E CAPACITOR		
	C 130	EETC1HM-105ZJC	E CAPACITOR		
	C 131	EETC1HM-105ZJC	E CAPACITOR		
	C 132	EETC1HM-105ZJC	E CAPACITOR		
	CN100	QGF1205F1-11	CONNECTOR		
	D 100	RB721Q-T2	S.B.DIODE		
	D 101	RB721Q-T2	S.B.DIODE		
	D 102	1SS133-T2	SI DIODE		
	D 103	1SS133-T2	SI DIODE		
	D 104	1SS133-T2	SI DIODE		
	D 110	1SS133-T2	SI DIODE		
	D 111	1SS133-T2	SI DIODE		
	IC 6	BU4066BC	IC		
	IC 7	BA15218	IC		
	IC 8	BA15218	IC		
	L 100	QQR0522-001	COIL		
	Q 10	KTC3199/GL-T	TRANSISTOR		
	Q 11	KRC102M-T	D.TRANSISTOR		
	Q 12	KTC3199/GL-T	TRANSISTOR		
	Q 13	KRC102M-T	D.TRANSISTOR		
	R 110	QRE141J-123Y	C RESISTOR	12K 5% 1/4W	
	R 111	QRE141J-563Y	C RESISTOR	56K 5% 1/4W	
	R 112	QRE141J-103Y	C RESISTOR	10K 5% 1/4W	
	R 113	QRE141J-563Y	C RESISTOR	56K 5% 1/4W	
	R 114	QRE141J-562Y	C RESISTOR	5.6K 5% 1/4W	
	R 115	QRE141J-184Y	C RESISTOR	180K 5% 1/4W	
	R 116	QRE141J-224Y	C RESISTOR	220K 5% 1/4W	
	R 117	QRE141J-623Y	C RESISTOR	62K 5% 1/4W	
	R 118	QRE141J-103Y	C RESISTOR	10K 5% 1/4W	
	R 119	QRE141J-224Y	C RESISTOR	220K 5% 1/4W	
	R 120	QRE141J-224Y	C RESISTOR	220K 5% 1/4W	
	R 121	QRE141J-333Y	C RESISTOR	33K 5% 1/4W	
	R 122	QRE141J-224Y	C RESISTOR	220K 5% 1/4W	
	R 123	QRE141J-224Y	C RESISTOR	220K 5% 1/4W	
	R 124	QRE141J-103Y	C RESISTOR	10K 5% 1/4W	
	R 125	QRE141J-103Y	C RESISTOR	10K 5% 1/4W	
	R 126	QRE141J-333Y	C RESISTOR	33K 5% 1/4W	
	R 127	QRE141J-473Y	C RESISTOR	47K 5% 1/4W	
	R 128	QRE141J-473Y	C RESISTOR	47K 5% 1/4W	
	R 129	QRE141J-104Y	C RESISTOR	100K 5% 1/4W	
	R 130	QRE141J-104Y	C RESISTOR	100K 5% 1/4W	
	R 131	QRE141J-473Y	C RESISTOR	47K 5% 1/4W	
	R 132	QRE141J-102Y	C RESISTOR	1.0K 5% 1/4W	
	R 133	QRE141J-274Y	C RESISTOR	270K 5% 1/4W	
	R 134	QRE141J-274Y	C RESISTOR	270K 5% 1/4W	

△	Item	Parts number	Parts name	Remarks	Area
	R 135	QRE141J-184Y	C RESISTOR	180K 5% 1/4W	
	R 136	QRE141J-184Y	C RESISTOR	180K 5% 1/4W	
	R 137	QRE141J-224Y	C RESISTOR	220K 5% 1/4W	
	R 138	QRE141J-224Y	C RESISTOR	220K 5% 1/4W	
	VR100	QVP0004-203Z	SEMI.V.RESISTOR		

Packing materials and accessories parts list

MX-J550R

Block No. M 5 M MBlock No. M 6 M M

Parts list (Packing)

Block No. M5MM

Item	Parts number	Parts name	Q'ty	Description	Area
P 1	GV10031-006A	PACKING CASE	1		
P 2	GV10034-001A	TOP CUSHION	1	FOR SET	
P 3	GV10035-001A	BOTTOM CUSHION	1	FOR SET	
P 4	QPC06507015P	POLY BAG	1	FOR SET	
P 5	QPC02503515P	POLY BAG	1		
P 6	GV40100-001A	CORRUGATED	1	SPACER	
P 7	139765141044	TOP CUSHION	1	FOR SPEAKER	
P 8	139765141045	BOTTOM CUSHION	1	FOR SPEAKER	
P 9	138736001066	POLY BAG	1	FOR SPEAKER	

Parts list (Accessories)

Block No. M6MM

Item	Parts number	Parts name	Q'ty	Description	Area
A 1	GVT0029-010A	INST BOOK	1	RUS	
A 2	BT-54013-1	WARRANTY CARD	1		
A 5	QAL0014-001	AM LOOP ANT	1		
A 6	EWP503-001	ANT.WIRE	1		
A 7	-----	BATTERY	1		
A 8	RM-SMXJ550R	REMOCON	1		
A 9	MXJ550K-SPBOX-L	SP BOX ASS'Y(L)	1	SP-MXJ550(3WAY)	
	MXJ550K-SPBOX-R	SP BOX ASS'Y(R)	1	SP-MXJ550(3WAY)	
A 10	199732080098	SP NET(L)	1	SP-MXJ550(3WAY)	
	199732080101	SP NET(R)	1	SP-MXJ550(3WAY)	